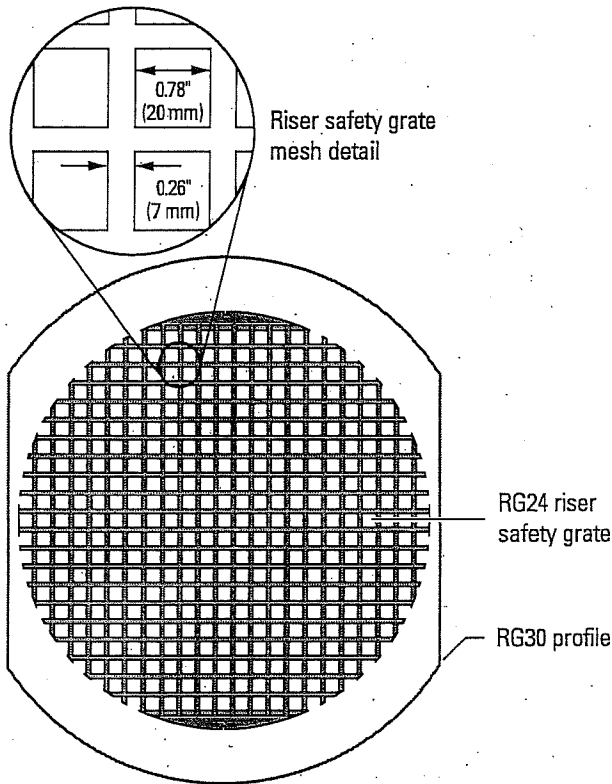


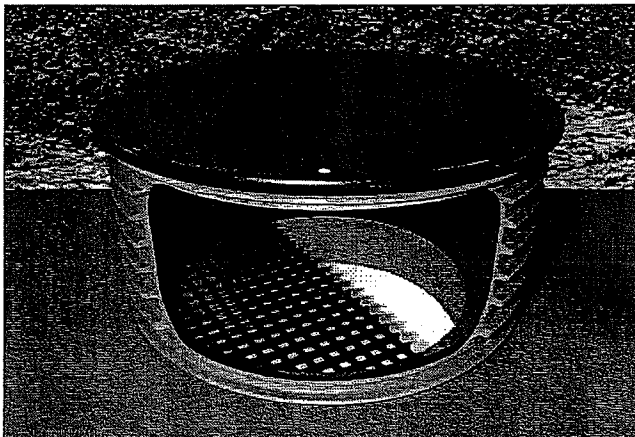
Riser Safety Grate

Applications

non-corroding polypropylene riser safety grates rest on the flange at the bottom of an access riser to help prevent people or tools from falling into a tank. They are sized to fit Ultra-Rib™, Perma-Loc™, Kor FLo™, and equivalent risers.



RG24 riser safety grate (with RG30 profile shown for comparison)



Properly installed, the riser safety grate rests on the tank flange. (Cutaway riser and cutaway grate shown for display purposes.)

General

riser safety grates:

- Are easy to install and remove.
- Allow service providers to rest filters or other components on the grate inside the riser to clean and hose them off.
- Prevent soil buildup when installed in the bottom of a valve box.
- Fit most brands of ribbed PVC profile pipe.
- Are made of noncorroding polypropylene.

Standard Models

RG12, RG18, RG21, RG24, RG30

Material of Construction

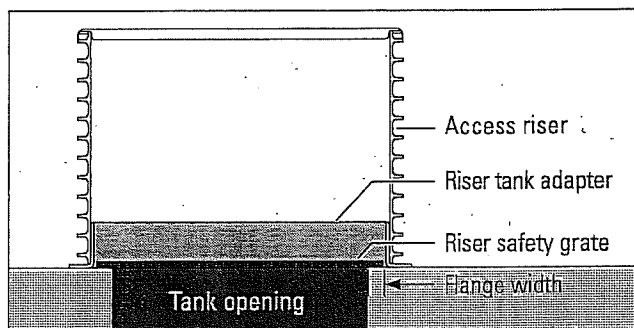
Riser grate Polypropylene

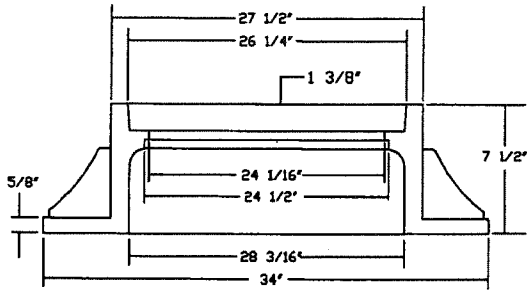
Specifications

Model	Diameter in. (mm)	Thickness in. (mm)	Weight lb (kg)	Min. flange width* in. (mm)
RG12	11.70 (297)	0.50 (13)	0.7 (0.3)	0.6 (15)
RG 18	17.50 (445)	0.50 (13)	1.7 (0.8)	1.25 (32)
RG 21	20.50 (521)	0.50 (13)	2.3 (1.0)	1.25 (32)
RG 24	23.25 (591)	0.50 (13)	3.0 (1.4)	1.63 (41)
RG 30**	29.25 (743)	0.50 (13)	4.4 (2.0)	3.13 (80)

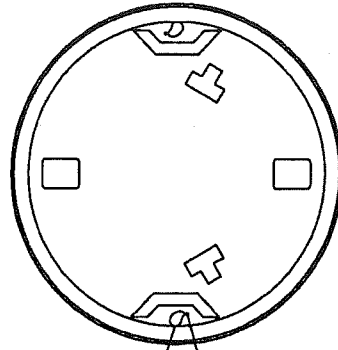
*For proper function, a minimum flange width is required for the riser safety grate to rest upon.

**RG 30 is not fully circular in profile.

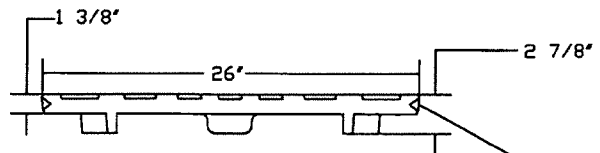
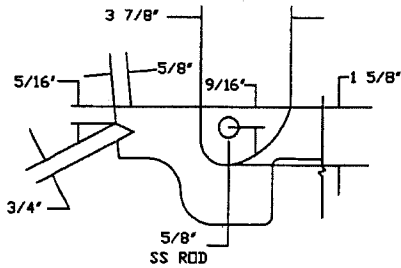




FRAME SECTION



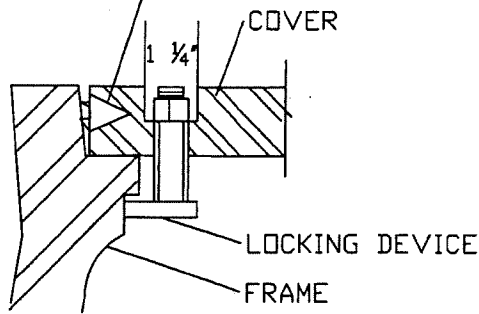
(2) CAM LOCKS (2) SS ROLL PINS
1/2" DIA x 1 3/4"



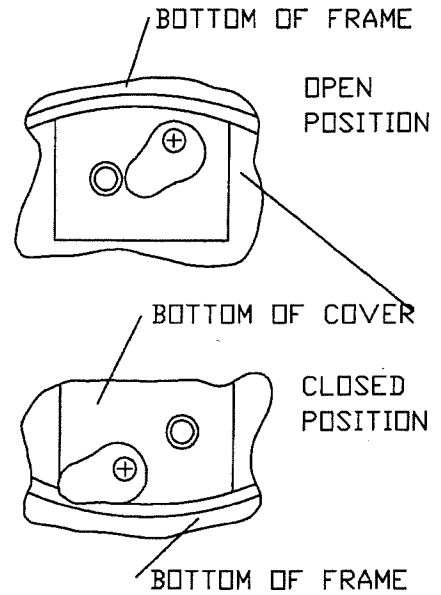
WIPER GASKET

TYPICAL CAM LOCK MANHOLE

FINNED GASKET IN VERTICAL FACE OF COVER TO MAKE WATERTIGHT.



STANDARD - PENTAGON HEAD S.S.
OPTIONAL - S.S. HEX HEAD BOLT



TYPICAL LOCKING DEVICE

RING MUST BE ANCHORED
IN ACCORDANCE WITH S-25

CITY OF RALEIGH				
DEPARTMENT OF PUBLIC UTILITIES				
WATER-TIGHT MANHOLE FRAME WITH CAM LOCK COVER				
DWG. NO.	REVISIONS	DATE	REVISIONS	DATE
S-27	RRH	3-30-00		